ALFYMA-TAME
✈

SLIDE-PRO TABLE

Smart and ergonomic unloading assistance

Designed to improve baggage handling efficiency and operator comfort, the Slide-Pro Table offers a practical solution for unloading heavy luggage at BHS (Baggage Handling System) exits.

Its simple, mechanical design requires no motorization, and the foldable structure adapts easily to space constraints while maintaining a smooth, controlled handling workflow.

KEY BENEFITS:

- ★ Reduces physical strain during baggage unloading
- ★ Compact and foldable for optimized space usage
- ★ Quick manual handling thanks to integrated locking system
- ★ Safe and intuitive use with limited training required
- ★ Mechanical design: no motor, minimal maintenance



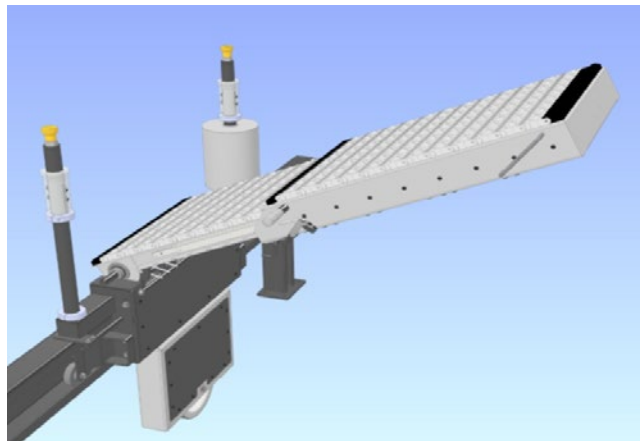
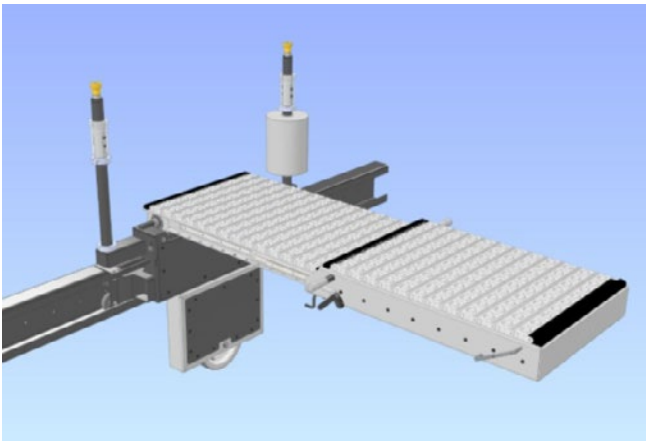
FIXE TABLE

- ➔ Tilttable table from 0° to 90°
- ➔ Lateral sliding mechanism
- ➔ Length (600 to 1000 mm) and height (610 to 840 mm) adjustable
- ➔ Estimated weight : 30 to 40 kg



EXTENDABLE TABLE

- ➔ Table extensible from 900 to 1500 mm (145 mm intervals)
- ➔ Tilttable table from 0° to 90°
- ➔ Lateral sliding mechanism
- ➔ Height adjustable from 610 to 860 mm (50 mm intervals)
- ➔ Estimated weight: 53 to 63 kg



EXTENDABLE & TILTING TABLE

- ➔ Tilttable table from 0° to 90°
- ➔ Adjustable angular position (step of 12°)
- ➔ Lateral sliding mechanism
- ➔ Length (600 to 1000 mm) and height (610 to 840 mm) adjustable
- ➔ Estimated weight : 55 to 65 kg